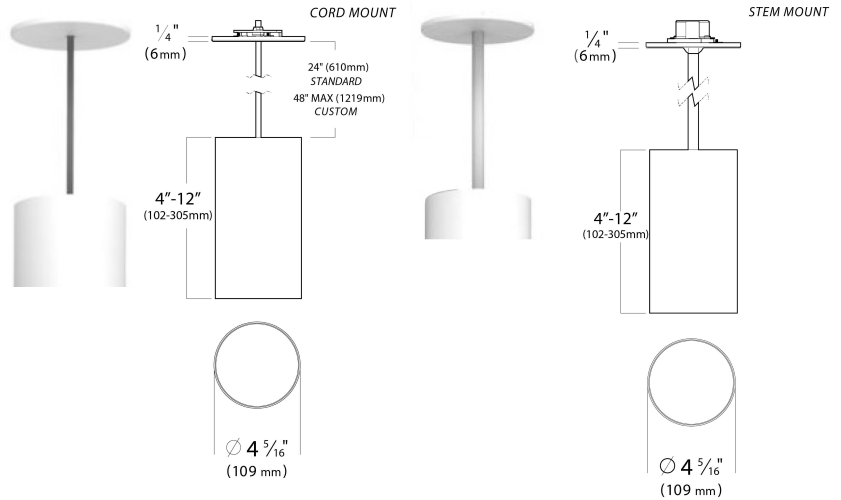


Project Name: _____ Type: _____ Quantity: _____


FIXTURE SPECIFICATIONS

INTENDED USE

The **Cilindro Architectural LED Cylinder Light Fixture** is a versatile and high performance fixture offering both precision lighting and elegant style and can be used for any new construction, remodel, or retrofit projects. The Cilindro is ideal for architectural, commercial, and residential applications in columns, surfaces, or pathways.

AVAILABLE DIMENSIONS

- Small** | H 4" x Dia 4.3"
- Medium** | H 8" x Dia 4.3"
- Large** | H 12" x Dia 4.3"

FEATURES

- Construction:** Die-Cast Extruded Aluminum Body
- Junction Box:** Installs in Most 3"/4" Octagonal and 3"/4" Round Boxes
- Voltage:** 120-277V 50/60 Hz
- Dimming:** Electronic Low Voltage (120V) 3-wire (100%-5%)
- CRI:** 90+, 2-Step SDCM
- Life:** 50,000 Hours
- Operating Temperature:** 40°
- Power Factor:** >.9
- Emergency:** Mounted Remote Inverter (90 Minutes)
- Warranty:** 5 Years
- Listings:** cULus Listed, CEC Listed, UL Listed for Damp Location, UL Listed for Wet Location for Wet Models



ORDERING INFORMATION Example: (12305-750L-30K-CM24-WH-ELV-EM)

Model	Wattage & Lumens	Color Temp	Mounting	Finish	Options
12302 Small	750L 11.8 watts 750 lms	27K 2700K 30K 3000K	CM24² 24" Cord Mount	WH ^{Standard} White	EM¹ Emergency Remote Inverter
12305 Medium	1000L 14.7 watts 1000 lms	35K 3500K 40K 4000K	ST24² 24" Stem Mount	BK Black	DFT Decorative Frost Trim
12307 Large	1500L¹ 19.5 watts 1500 lms 2000L¹ 29 watts 2000 lms		CMXX³ Custom Cord Mount STXX⁴ Custom Stem Mount	BR Bronze BA Brushed Aluminum RAL Custom Color	WL Wet Location

¹Not Available for Small Models
²24" Standard
³Up to 48"
⁴Up to 96"
⁵Please Specify #RAL